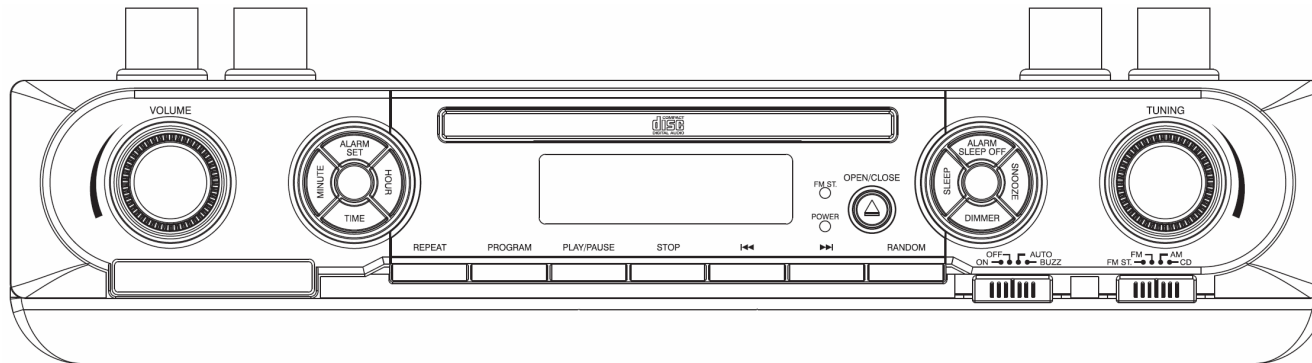


jWIN

STEREO CD PLAYER WITH DUAL ALARM CLOCK RADIO



Instruction Manual Model: JL-K755

Please read this manual carefully before operating and save it for future reference.
Have a question? Please visit <http://www.jWIN.com>

USER SAFETY GUIDE



INSTRUCTIONS ON ENVIRONMENT PROTECTION

Do not dispose of this product in the usual household garbage at the end of its life cycle; bring it to a collection point for the recycling of electrical and electronic appliances. This symbol on the product means the instructions for use or the packing will inform about the methods for disposal. The materials are recyclable as mentioned in its marking. By recycling, material recycling, or other forms of re-utilization of old appliances, you make an important contribution to protect the environment. Please inquire at your local community administration for the authorized disposal location.

FCC RULES

This device complies with Part 15 of the FCC Rules. Operation is subject to the condition that this device does not cause harmful interference.

Do not make changes or modify the device in any way. Changes or modifications not expressly approved by the party responsible for compliance could void the user's authority to operate the equipment.

IMPORTANT SAFETY WARNINGS

1. Before using the player, please ensure that your local AC voltage is suitable for this unit.
2. To prevent fire or electric shock, do not expose the unit to rain or moisture.
3. Never attempt to open the cabinet. Always refer servicing to a qualified technician.

IMPORTANT SAFETY INSTRUCTIONS

1. **READ INSTRUCTIONS** – All the safety and operating instructions should be read before the appliance is operated.
2. **RETAIN INSTRUCTIONS** – The safety and operating instructions should be retained in a secure place for future reference.
3. **HEED WARNINGS** – All warnings on the appliance and in the operating instructions should be observed.
4. **FOLLOW INSTRUCTIONS** – All operating and use instructions should be followed.
5. **WATER AND MOISTURE** – The appliance should not be used near water. For example: near a bathtub, kitchen sink, laundry tub, and/or swimming pool.
6. **HEAT** – The appliance should be situated away from heat sources such as radiators, heat registers, stoves, or other appliances (including amplifiers) that produce heat.

USER SAFETY GUIDE

IMPORTANT SAFETY INSTRUCTIONS – CONTINUED

7. **POWER SOURCES** – The appliance should be connected to a power supply only of the type described in the operating instructions or as marked on the appliance itself.
8. **CLEANING** – The appliance should be cleaned with a dry cloth.
9. **OBJECT AND LIQUID ENTRY** – Care should be taken so that objects do not fall and liquids are not spilled into the device's openings.
10. **CARTS AND STANDS** – The appliance should be used only with a cart or stand that is recommended by the manufacturer. An appliance and cart combination should be moved with care. Quick stops, excessive force, and uneven surfaces may cause the appliance and cart combination to overturn.
11. **DAMAGE REQUIRING SERVICE** – The appliance should be serviced by qualified service professional when:
 - a. The power supply cord or plug has been damaged.
 - b. Objects have fallen into, or liquid has been spilled into the appliance's apertures.
 - c. The appliance has been exposed to rain.
 - d. The appliance has been dropped and suffered damage.
 - e. The appliance does not appear to operate normally or exhibits a change in performance.
12. **SERVICING** – The user should not attempt to service the appliance beyond what is described in the user's operating instructions. All other servicing should be referred to qualified service professional.
13. **BATTERY USAGE** – To prevent battery leakage, which may result in bodily injury, property damage or damage to the unit, follow these instructions:
 - a. Install all batteries correctly according to the polarity (+/-) as marked on the unit.
 - b. Do not mix old and new batteries, carbon and alkaline, etc.
 - c. Remove batteries from the unit when the device will not be used for an extended period of time.
14. **LEAD AND MERCURY** – This product may contain lead and/or mercury. Disposal of these materials may be regulated by your local authorities due to environmental considerations. For more detailed disposal or recycling information, please contact your local authorities or the EIA (Electronic Industries Alliance) – <http://www.eiae.org>



USER SAFETY GUIDE

FCC NOTICE (USA)

This equipment has been tested and found to comply with the limits for a Class B digital device, pursuant to Part 15 of the FCC Rules. These limits are designed to provide reasonable protection against harmful interference in a residential installation. This equipment generates, uses, and can radiate radio frequency energy and, if not installed and used in accordance with the instructions, may cause harmful interference to radio communications. However, there is no guarantee that interference will not occur in a particular installation. If this equipment does cause harmful interference to radio or television reception, which can be determined by turning the equipment off and on, the user is encouraged to try to correct the interference by one or more of the following measures:

1. Reorient or relocate the receiving antenna.
2. Increase the separation between the equipment and receiver.
3. Connect the equipment into an outlet on a circuit different from that to which the receiver is connected.
4. Consult the dealer or an experienced radio/TV technician for help.

IC NOTICE (CANADA)

This digital apparatus does not exceed the Class B limits for radio noise emissions from digital apparatus as set out in the Radio Interference Regulations of Industry Canada. These limits are designed to provide reasonable protection against harmful interference in a residential installation. This equipment generates, uses, and can radiate radio frequency energy and, if not installed and used in accordance with the instructions, may cause harmful interference to radio communications. However, there is no guarantee that interference will not occur in a particular installation. If this equipment does cause harmful interference to radio or television operation (which can be determined by turning the equipment off), the user is encouraged to try to correct the interference by one or more of the following measures:

- Reorient or relocate the receiving antenna.
- Increase the separation between the equipment and receiver.
- Connect the equipment into an outlet on a circuit different from that to which the receiver is connected.
- Consult the dealer or an experienced radio/TV technician for help.

USER SAFETY GUIDE

About Electromagnetic Interference (EMI)

This device is designed and manufactured not to exceed the exposure limit for radio frequency energy, which is set by the Federal Communications Commission of the U.S government.

The term “EMI” is short for the electromagnetic interference caused by the electromagnetic field generated by electronic devices. In fact, most electrical appliances and devices emit electric and magnetic fields, and most of modern electronic devices are susceptible to the EMI if they are inadequately shielded or designed.

- If you use any personal medical device, such as a pacemaker, please consult the manufacture of your medical device to determine if it is adequately shielded from EMI. Your physician might assist you in obtaining this information.
- Please turn off this device if you are instructed to do so, especially on an airplane or in a hospital.
- Please keep away from medical instruments in a hospital or medical unit while using this device.

IMPORTANT NOTES ON HEARING

Your hearing is very important to you and to us. We strongly recommend you to follow the guideline below in order to prevent possible damage to or loss of hearing. Hearing experts warn that, over time, listening to loud sounds can damage hearing. With continuous listening to loud sounds, hearing adapts and will give the impression that volume has reduced. What seems normal may, in fact, be harmful. To guard against this before hearing adapts, set the volume at a low level and slowly increase the volume level until sound can be heard comfortably and clearly without distortion. Damage to hearing is cumulative and irreversible. Ringing or discomfort in the ears indicates that the volume is too loud. Once a comfortable listening level has been established, do not increase the volume level further.

Cautions

- If you experience a ringing sound in your ear, lower the volume or discontinue the use of this product.
- Do not use the headphones while driving or cycling. Because this product reduces the external noises, you might not be able to hear the warning sounds, such as an automobile horn, and might result in a traffic accident. Additionally, listening to headphones while driving is illegal in many places

TABLE OF CONTENTS**Getting Started**

General features	6
What's included.....	6
Location of Controls	7
Installing the Unit	8
Connecting to AC Power	9
Installing the Battery	9

Operational Instructions

Using the CD Player	11
Selecting the CD Player	11
Basic CD Operation.....	11
Additional CD Playback Operations	12
Using the Clock	13
Using the Alarm	13
Listening to the Radio	14
Waking to the Alarm, Radio or CD	14
Falling Asleep to a CD	15
Falling Asleep to The Radio	15

Maintenance & Troubleshooting Guide	16
--	-----------

Specifications	18
-----------------------------	-----------

GETTING STARTED

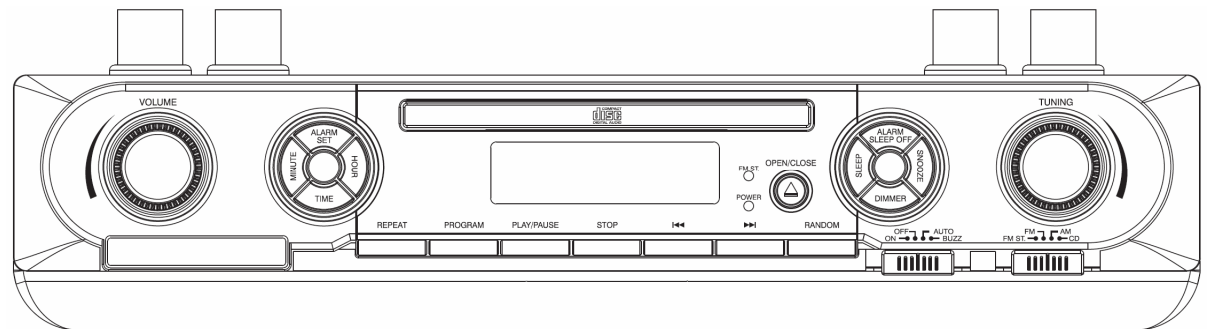
Congratulations on your purchase of the JL-K755. Remember to keep this manual for future reference.

Under Cabinet CD player with AM/FM stereo dual alarm clock radio

- CD player
 - High precision front loading CD player
 - Programmable memory for 20 audio tracks
 - Supports Repeat and Random functions
 - Skip and search functions
- AM / FM stereo radio
 - Digital frequency display
 - FM stereo indicator
- Alarm Clock
 - Large liquid crystal display (LCD) with backlight
 - Digital alarm clock with snooze function
 - Wake to audio CD, radio, or buzzer
 - Fall asleep to audio CD or radio
 - 9V battery for clock backup (battery is not included)

What's included?

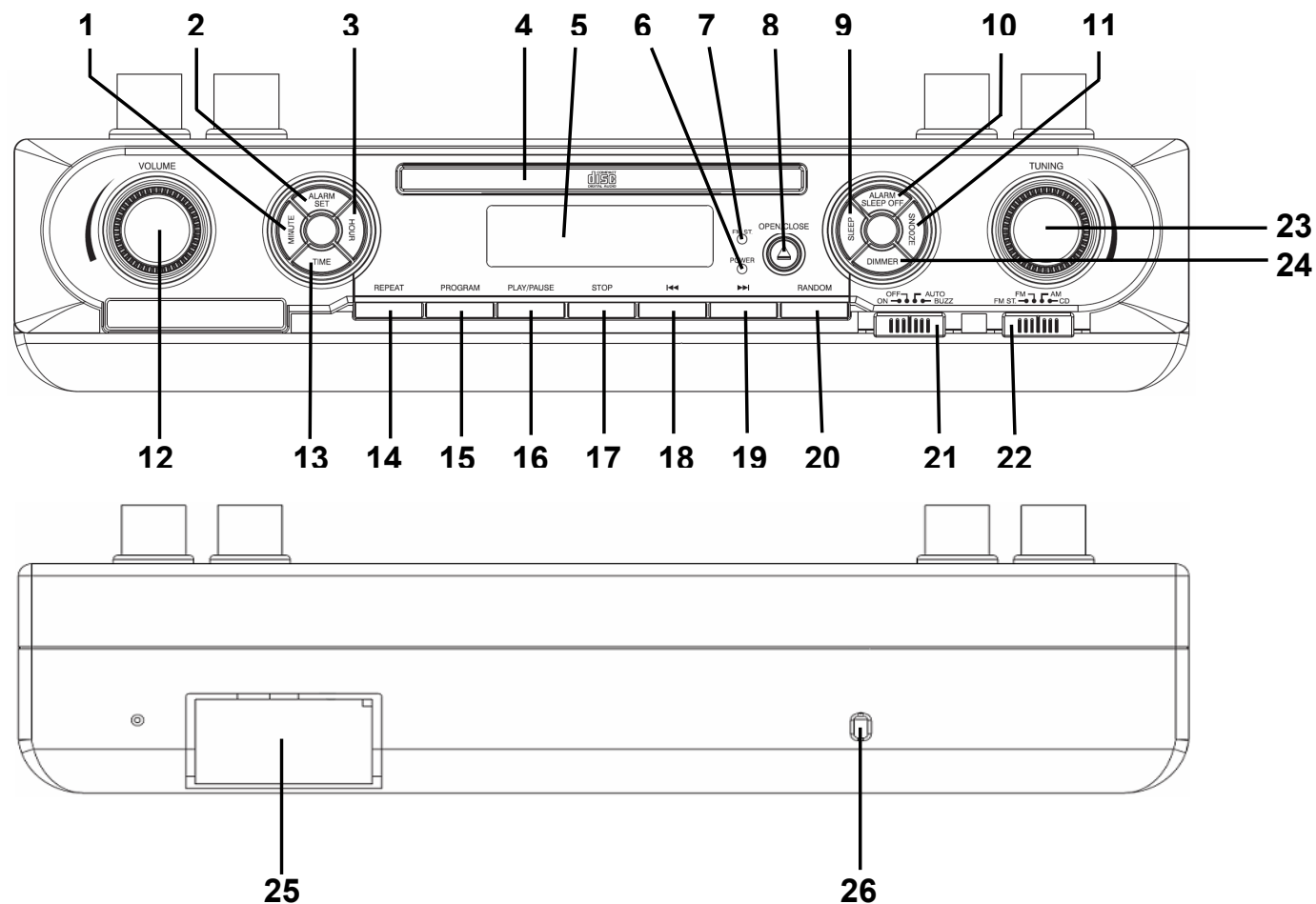
- Under cabinet CD AM/FM radio with alarm clock
- Instruction manual (English / French / Spanish)
- Template and mounting kits



GETTING STARTED

Location of Controls

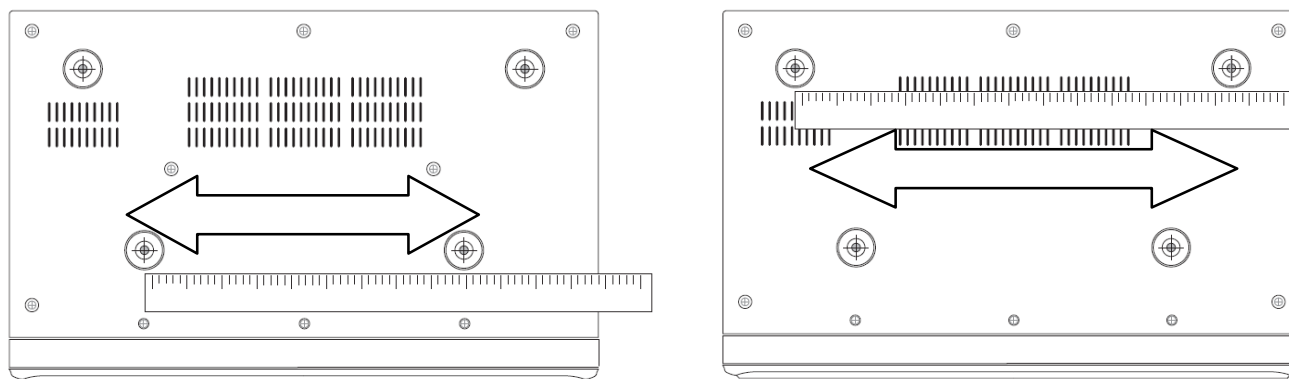
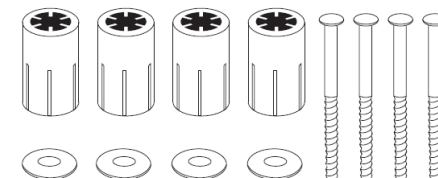
1. Minute Set button
2. Alarm Set button
3. Hour Set button
4. Disc tray
5. LCD display
6. Power indicator
7. FM stereo indicator
8. Open/Close button
9. Sleep button
10. Alarm/Sleep Off button
11. Snooze button
12. Volume knob
13. Time Set button
14. Repeat button
15. Program button
16. Play/Pause button
17. Stop button
18. Rewind button
19. Fast Forward button
20. Random button
21. On/Off/Auto/Buzz switch
22. FM ST/FM/AM/CD switch
23. Tuning knob
24. Dimmer button
25. Battery compartment
26. AC power cord



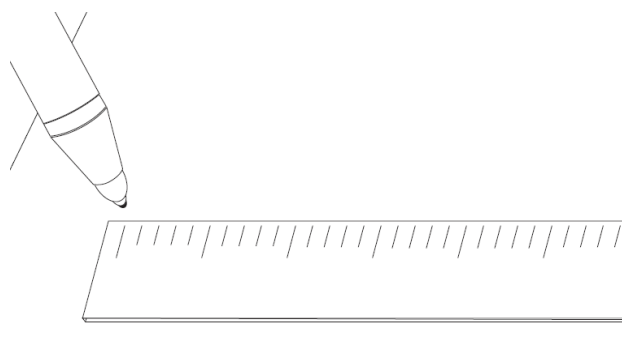
GETTING STARTED

Installing the unit

1. Find the mounting kit included with this unit. It contains four (4) brackets, four (4) screws and four (4) washers.
2. Measure the length between the bracket holes on the top of the unit.



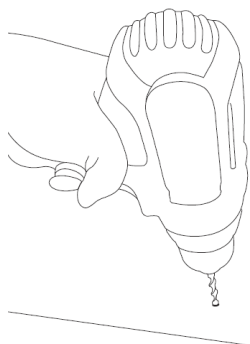
3. Use the measurements to mark where to drill holes in the bottom of the cabinet.



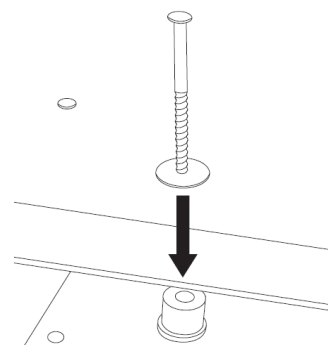
GETTING STARTED

Installing the unit-continued

4. Drill holes where marked.



5. Place a washer over each drilled hole and line them up with the brackets as shown.
6. Screw in the screws through the holes and the brackets until tight.
7. Repeat this procedure for each bracket.



Connecting to AC power

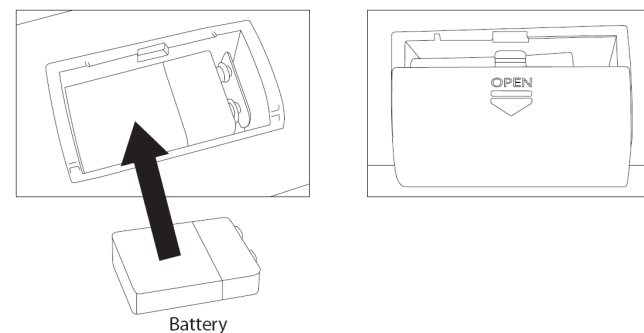
Plug the JL-K755 into a standard AC outlet. Once connected, "12:00" will flash on the LCD display.

Installing the battery

Using battery power will enable the functions of the JL-K755 to last up to eight hours.

1. Open the battery compartment at the back of the unit.
2. Insert one (1) 9-volt battery*
3. Close the battery compartment.

* For longer life, an alkaline battery is suggested



GETTING STARTED

Important Notes on Batteries

To prevent battery leakage, which may result in bodily injury, property damage or damage to the unit, follow these instructions.

- Install all batteries correctly according to the polarity (+/-) as marked on the unit.
- Use only fresh, 9-volt batteries with this unit
- Remove batteries from the unit when the device will not be used for an extended period of time.
- There is no background lighting on the LCD screen when powered by the battery. The unit will continue to display the time.
- During an AC power failure, the JL-K755 will only work when the ON/OFF/AUTO/BUZZ Switch is set to AUTO or BUZZ.

Please dispose the used batteries properly according to your local government regulations.

OPERATIONAL INSTRUCTIONS

Using the CD Player

The JL-K755 can play audio CDs, CD-R and CD-W discs. The playback quality, however, can be affected by the following:

- Variations in CD-W brands
- Disc recording speed
- Variations in CD recording software

Note: This player is designed to play CDs on a stable surface not subject to vibration. If the player is bumped during playback, the disc will stop or skip. This is normal.

Selecting the CD Player

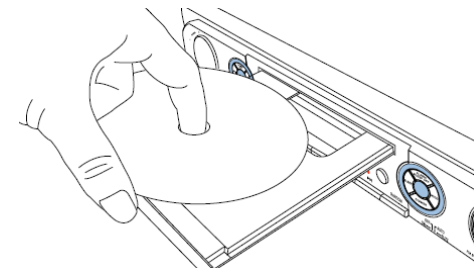
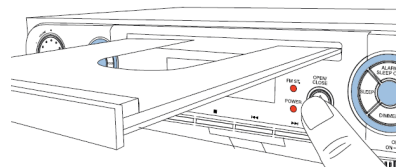
1. Slide the **FM ST./FM/AM/CD** Switch to CD.
2. Slide the **ON/OFF/AUTO/BUZZ** Switch to ON.

If there is no disc in the player, "00" will appear on the LCD display for several seconds followed by the word "NO."

Basic CD Operation

Playing a CD

1. Press the **OPEN/CLOSE** button to open the CD compartment.
2. Place a CD in the compartment
3. Press the **PLAY/PAUSE** button to begin playback. The display will show ► and the current track number.



Pausing the Playback

- Press the **PLAY/PAUSE** button during CD playback to pause. Press again to resume.

Stopping the Playback

- Press the **STOP** button to stop playback.

OPERATIONAL INSTRUCTIONS

Basic CD Operation-continued

Skipping Tracks

1. Press the **SKIP/SEARCH FORWARD** button to skip to the next track.
2. Press the **SKIP/SEARCH BACKWARD** button to return to the previous track(s).

Adjusting the Volume

- Use the **VOLUME** control knob on the left front side of the unit to adjust the sound level.

Additional CD Playback Features

Programming

The JL-K755 can store up to 20 CD tracks in memory

1. Slide the **ON/OFF/AUTO/BUZZ** Switch to ON and the **FM ST./FM/AM/CD** Switch to CD.
2. Press the **PROGRAM/REPEAT** button and the word "**PROG**" appears on the LCD screen with the memory location "**01**" flashing.
3. Press the **SKIP/SEARCH FORWARD** or **SKIP/SEARCH BACKWARD** buttons to locate a desired track.
4. Press the **PROGRAM/REPEAT** button to confirm the selection. Once confirmed, the LCD screen will display the next memory location with "**02**" flashing.
5. Repeat steps 3 and 4 for each track you wish to program.
6. Press the **PLAY/PAUSE** button to begin programmed playback. The word "**PROG**" will show on the LCD screen.

Notes: Press the **STOP** button to cancel programmed playback. Repeat the above steps to create a new program.

Repeat Play

1. During playback, press the **PROGRAM/REPEAT** button repeatedly to toggle the following options:
 - **REPEAT 1:** Repeats a single track
 - **REPEAT ALL:** Repeats all tracks on the CD. When the program setting is in use, the word "**PROG**" will appear on the LCD screen and all programmed tracks will repeat.
2. To cancel repeat playback, press the **PROGRAM/REPEAT** button until repeat icons disappear from the LCD screen.

OPERATIONAL INSTRUCTIONS

Additional CD Playback Features-continued

Random Play

1. Press the **RANDOM** button to play CD tracks in random order. The word "**RAND**" appears on the LCD screen.
2. Press the **SKIP/SEARCH FORWARD** button to play the next randomly-selected track.
3. Press the **RANDOM** button again to resume normal playback.

Turning off the CD Player

- Slide the **ON/OFF/AUTO/BUZZ** Switch to **OFF** to turn off the CD player

Notes: If you wish to use the alarm function, slide the **ON/OFF/AUTO/BUZZ** to **BUZZ** or **AUTO** depending on which function (buzzer or music) you wish to wake to. If **AUTO** is selected, be sure to adjust the **VOLUME** control to the sound level you need for waking up. See the instruction under "**Using the Alarm**" in this manual for more details.

Using the Clock

- The clock on the LJ-K755 uses a 12-hour format.
- Setting the Clock
 1. Press the **TIME** and **HOURL** buttons at the same time to set the hour
 2. Press the **TIME** and **MINUTE** buttons at the same time to set the minutes

Note: If the 9V battery is installed, time and alarm settings will be saved in the event of a brief power outage. The display will not show the time, but it will remain in memory and will return when power is restored.

Using the Alarm

1. Press the **ALARM/SLEEP OFF** button for three (3) seconds until "**ALARM 1**" or "**ALARM 2**" displays on the LCD screen.
2. Press the **ALARM** and **HOURL** buttons at the same time to set the hour.
3. Press the **ALARM** and **MINUTE** buttons at the same time to set the minute.
4. To complete the alarm setting, slide the **ON/OFF/AUTO/BUZZ** Switch to **ON** or **OFF** depending on whether you want the alarm on or off.

OPERATIONAL INSTRUCTIONS

Listening to the Radio

1. Slide the **FM ST./FM/AM/CD** Switch to **AM** or **FM** position and slide the **ON/OFF/AUTO/BUZZ** Switch to **ON**.
2. Tune to the preferred radio station using the **TUNING** knob on the front right panel of the unit.
3. Adjust the sound level using the **VOLUME** knob.
4. Slide the **ON/OFF/AUTO/BUZZ** Switch to **OFF** to turn the radio off.

Waking to the Alarm, Radio, or CD

Waking to the alarm

1. Slide the **ON/OFF/AUTO/BUZZ** Switch to **BUZZ**.
2. Set the alarm as instructed in this manual. The Alarm status will appear on the LCD screen.
3. Alarm buzzer will sound at the set time

Waking to the radio

1. Slide the **ON/OFF/AUTO/BUZZ** Switch to **AUTO**.
2. Set the alarm as instructed in this manual. The Alarm status will appear on the LCD screen.
3. Set the **FM ST./FM/AM/CD** Switch to **FM ST.**, **FM**, or **AM**.
4. Radio will play will sound at the set time

Waking to the CD player

1. Slide the **ON/OFF/AUTO/BUZZ** Switch to **AUTO**.
2. Set the alarm as instructed in this manual. The Alarm status will appear on the LCD screen.
3. Set the **FM ST./FM/AM/CD** Switch to **CD**.
4. CD will play will sound at the set time

OPERATIONAL INSTRUCTIONS

Falling asleep to a CD

The Sleep function can be used with a CD for up to 1 hour, 59 minutes.

1. Slide the **FM ST./FM/AM** Switch to **CD**.
2. Slide the **ON/OFF/AUTO/BUZZ** Switch to **BUZZ** or **AUTO**.
3. Press the **SLEEP** button. The display will show 59 minutes, the word "**SLEEP**" will appear on the LCD screen, and the CD will begin playback.
4. Press and hold the **SLEEP** and **MINUTE** buttons down at the same time for time to count down. When the desired time for the player to turn off is displayed on the screen, release the buttons.
5. Press the **SLEEP** and **MINUTE** buttons down together to change the setting to 1 hour, 59 minutes.
6. To turn off the CD before playback time has ended, press the **ALARM SLEEP OFF** button.

Falling asleep to the Radio

The Sleep function can be used with the radio for up to 1 hour, 59 minutes.

1. Slide the **FM ST./FM/AM** Switch to **AM** or **FM**.
2. Slide the **ON/OFF/AUTO/BUZZ** Switch to **BUZZ** or **AUTO**.
3. Press the **SLEEP** button. The display will show 59 minutes, the word "**SLEEP**" will appear on the LCD screen, and the radio will begin to play.
4. Press and hold the **SLEEP** and **MINUTE** buttons down at the same time for time to count down. When the desired time for the player to turn off is displayed on the screen, release the buttons.
5. Press the **SLEEP** and **MINUTE** buttons down together to change the setting to 1 hour, 59 minutes.
6. To turn off the CD before playback time has ended, press the **ALARM SLEEP OFF** button.

MAINTENANCE & TROUBLESHOOTING GUIDE

Maintenance

- Place the unit on a leveled surface away from sources of direct sunlight or excessive heat.
- When placing the unit on a natural wood and lacquered finish, a cloth or other protective material should be placed between it and the furniture to avoid any damage to the unit and the furniture.
- Clean the unit with a soft cloth moistened only with mild soap and water. Stronger cleaning agents, such as Benzine, thinner or similar materials can damage the surface of the unit.

Troubleshooting

- No Power
 - The AC adapter may not be connected properly. Check the connection.
 - The wall outlet may not function. Try another outlet.
- No Sound
 - The correct function may not be chosen. Check function setting.
 - Volume may be turned down. Adjust the sound level.
- Alarm does not work
 - The **ON/OFF/AUTO/BUZZ** Switch may not be in the correct position. Please check.
 - Alarm function may not be turned on. Check if **ALARM 1** or **ALARM 2** is displayed on the LCD screen
- “NO” appears on the screen even when disc is inserted.
 - CD may not be loaded properly. Make sure CDs are loaded with the label side facing up.
 - CD may be damaged. Check condition of the disc.
 - Player may be in **PAUSE** mode. Press **PLAY/PAUSE** button.
 - Moisture may have developed on the CD lens. Remove CD from tray and wait an hour before trying again.
 - The FM ST./FM/AM/CD Switch may be in the wrong position. Switch to CD
 - An improper disc may be inserted. No MP3 or WMA discs. Please check.

MAINTENANCE & TROUBLESHOOTING GUIDE

Troubleshooting-continued

- Sound is weak or poor quality
 - CD may be dirty, please clean.
 - CD may be damaged. Please check for scratches.
 - Radio signal is weak, extend the FM antenna or move near a window.

SPECIFICATIONS

- Radio Frequency Range
 - AM: 530kHz – 1710kHz
 - FM: 88MHz – 108MHz
- Power Requirement
 - AC 120V / 60Hz
 - Battery: 9V battery for clock backup (battery not included)
- Unit Dimensions (W x H x D): 14.33 x 3.58 x 8.78 (inch)
- Unit Weight: 5.5Lbs

* Specifications and features are subject to change without notice.

jWIN

TEL: 516-626-7188

FAX: 516-626-7105

website: www.jWIN.com

e-mail: info@jWIN.com

© 2007 jWIN Electronics Corp. All rights reserved. No portion of this printed material or product enclosed herewith including design, shape and graphics, may be reproduced or transmitted in any form without the expressed written consent of jWIN Electronics Corp. by any means, electronic or mechanical, including photocopying, recording or with an information storage and retrieval system. Any unauthorized distribution or reproduction of this printed material or product, or any portion there of, will be prosecuted to the fullest possible extent of the law.

Printed in China